

**NOVALAB eye shower for table mounting with stainless steel braided pressure hose and table feedthrough; with DVGW type examination certificate**

for connection to the water supply

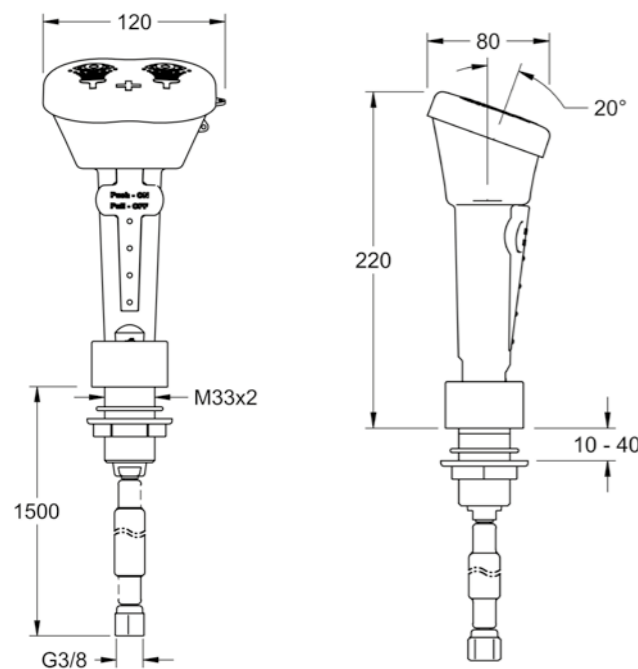


**Features**

- robust plastic casing made of polyamide grey RAL 7035
- connection thread of the hand shower made of metal G 1/2B with integrated flow regulator, backflow preventer and dirt trap
- smooth, easy-to-clean surfaces
- for stationary or flexible use
- not automatically self-closing
- rinses both eyes at the same time with sufficient water
- constant flow rate of 12 l/min from 1.8 bar flow pressure
- constant jet height with a soft water jet regardless of the flow pressure
- triggered by pressing the wing button, water stopped by pulling the button
- interchangeable jet formers with special tool
- dust cap green RAL 6032 including pictogram printing eye shower
- table feed-through made for fixed insertion of the hand shower and fastening set
- technical product information including safety sign "eye shower" as adhesive film
- compliant with DIN EN 15154-2, DGUV Information 213-850, UBA Metals, UBA KTW-BWGL, UBA Elastomers, DVGW W 270
- max. static pressure 8 bar
- connection thread on hose G 3/8

Art.-No.

70 1340 15



**NOVALAB eye shower for wall mounting on laboratory furniture with stainless steel braided pressure hose and wall bracket with wall duct; with DVGW type examination certificate**

for connection to the water supply



**Features**

- robust plastic casing made of polyamide grey RAL 7035
- connection thread of the hand shower made of metal G 1/2B with integrated flow regulator, backflow preventer and dirt trap
- smooth, easy-to-clean surfaces
- for stationary or flexible use
- not automatically self-closing
- rinses both eyes at the same time with sufficient water
- constant flow rate of 12 l/min from 1.8 bar flow pressure
- constant jet height with a soft water jet regardless of the flow pressure
- triggered by pressing the wing button, water stopped by pulling the button
- interchangeable jet formers with special tool
- dust cap green RAL 6032 including pictogram printing eye shower
- wall duct made for fixed insertion of the hand shower and fastening set
- technical product information including safety sign "eye shower" as adhesive film
- compliant with DIN EN 15154-2, DGUV Information 213-850, UBA Metals, UBA KTW-BWGL, UBA Elastomers, DVGW W 270
- max. static pressure 8 bar
- connection thread on hose G 3/8

Art.-No.

70 1342 15

